

KWF410-33

33 Inch Farmhouse Workstation Single Bowl Stainless Steel Kitchen Sink

Kräus[®]

SPECIFICATION SHEET

Sink Dimensions

Overall Dimensions: 32 7/8" x 20 1/4"

Bowl Dimensions: 31" x 16"

Sink Depth: 10"

Features

- 16 Gauge Stainless Steel Construction
- Farmhouse Single Bowl Sink
- Required Minimum Cabinet Size: 36" Left to Right, 24" Front to Back
- Rear Off-Set Drain
- 3 1/2" Drain Opening
- NoiseDefend Undercoating and Sound Dampening Pads

Accessories Included

- Strainer ST-1
- Cover Cap STC-2
- Bottom Grid KBG-UN1-33
- Rolling Mat KRM-11BL
- Cutting Board KCB-WS103BB
- Cut-Out Template
- Mounting Hardware

CODES/STANDARDS:

Product Certification

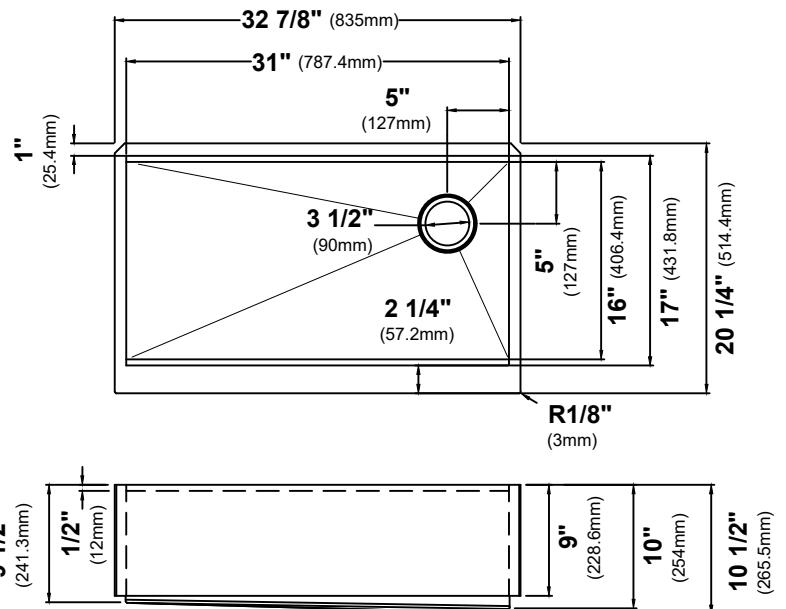
cUPC (ASME A112.19.3/CSA B45.4)

NOTE: It is not recommended to install this sink with a negative reveal. Doing so will prohibit the use of any workstation accessories as they will not fit.

Warranty

Kraus Limited Lifetime Warranty

see website for details www.kraususa.com



KBG-UN1-33

Stainless Steel Kitchen Sink Bottom Grid

Grid Dimensions

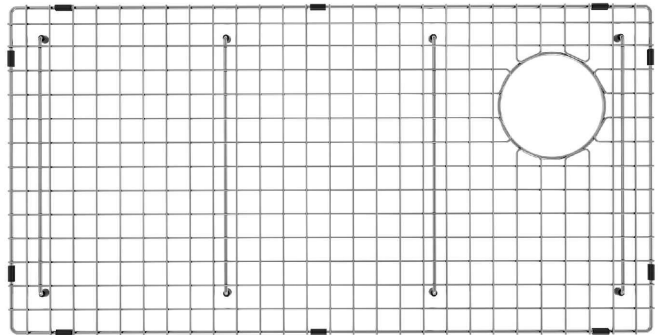
Overall Dimensions: 30 5/8" x 15 5/8" x 7/8"

Features

- Commercial grade stainless steel construction
- For Use with the KWT310-33, KWT310-33/PGM, KWF410-33, KWF410-33/PGM, KWF210-33 and KWF210-33/PGM kitchen sinks
- Protects bottom of sink from daily wear and tear
- Rubber feet provide additional protection

Available Finishes

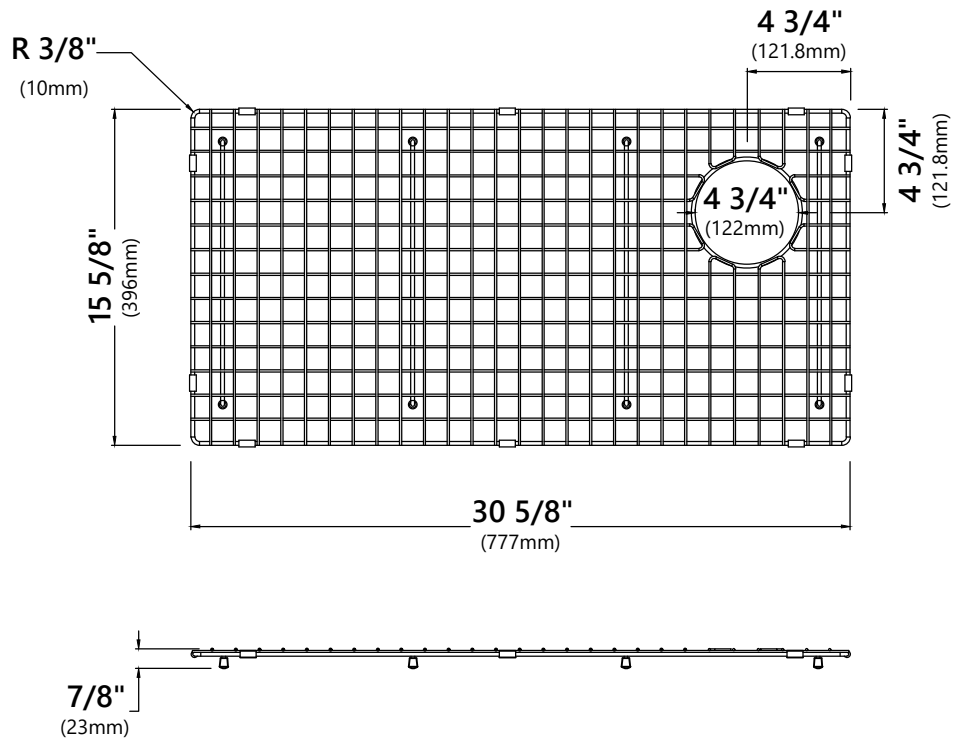
- Stainless Steel
- PVD Gunmetal



Warranty

Kraus One Year Limited Warranty

see website for details www.kraususa.com



ST-1

Stainless Steel Kitchen Sink Strainer

Strainer Dimensions

Overall Dimensions: $\phi 4 \frac{1}{2}''$ x $3 \frac{3}{4}''$

Features

- Premium Stainless Steel construction
- Fits Standard $3 \frac{1}{2}''$ or $4''$ Drain Opening
- Open/Close Stopper Prevents Debris from Clogging Drain Pipe

Available Finishes

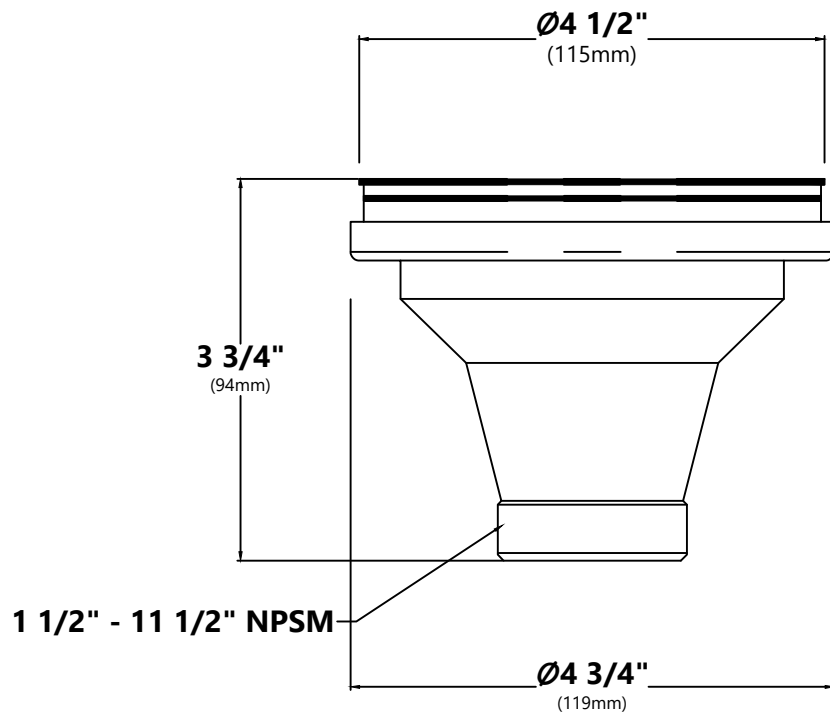
- Stainless Steel



Warranty

Kraus 1 Year Limited Warranty

see website for details www.kraususa.com



STC-2

Removable Decorative Drain Cover

Drain Cap Dimensions

Overall Dimensions: $\varnothing 4 \frac{1}{2}$ " x $\frac{5}{8}$ "

Features

- Premium Stainless Steel Construction
- Fits Standard $3 \frac{1}{2}$ " Drain Opening
- Allows Water to Drain Easily When Installed
- Conceals Garbage Disposal and Waste Fittings for a Seamless Look
- Compatible with Standart Pro™, Pax™, Kore™, Outlast Microshield™ and Premier™ Kitchen sinks

Available Finishes

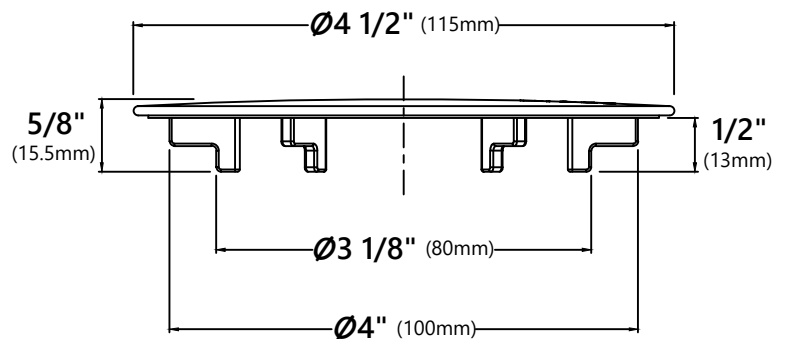
- Stainless Steel
- PVD Gunmetal



Warranty

Kraus 1 Year Limited Warranty

see website for details www.kraususa.com



KCB-WS103

Cutting Board

Cutting Board Dimensions

Overall Dimensions: 16 3/4" x 12" x 3/4"

Features

- Designed to Use Over the Sink and On the Counter
- Outer Groove Traps Liquids to Prevent Messy Counter
- BPA-free and FDA-approved

Available Finishes

- Bamboo
- Acacia
- Sapele

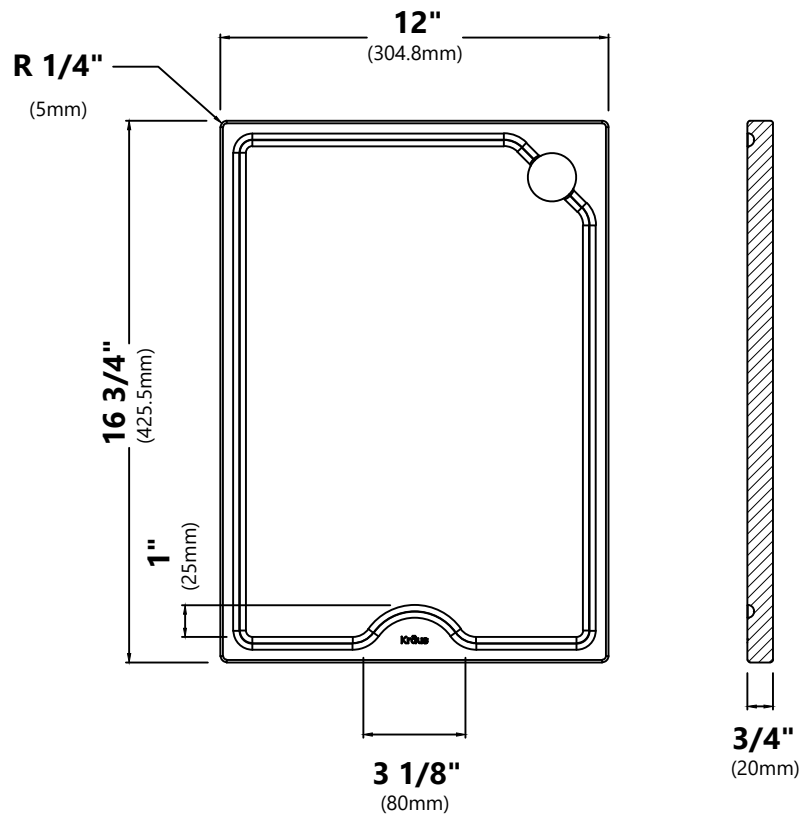


NOTE: Each piece may feature unique color variations

Warranty

Kraus One Year Limited Warranty

see website for details www.kraususa.com



KRM-11

Multipurpose Roll-Up Dish Drying Rack

Rolling Mat Dimensions

Overall Dimensions: 16 7/8" x 12" x 3/8"

Features

- Roll-up over-the-sink drying rack
- Stainless steel construction with non-slip silicone coating
- Rolls up into a compact cylinder for storage
- Dishwasher safe
- Heat-safe up to 400° F
- Holds up to 85 lbs
- BPA-free and FDA-approved
- For Use with KFR4-33, KGF1-30, KGF1-33, KGF2-30, KGF2-33, KWF210-30, KWF210-33, KWF210-36, KWF410-30, KWF410-33, KWF410-36, KWT310-30, KWT310-33, KWT311-25, KWU110-27, KWU110-30, KWU110-32, KWU111-17, KWU111-23, KWU112-33, KWU120-45 and KWU210-57 kitchen sinks

Available Colors

- Black
- Brown
- Dark Blue
- Dark Grey
- Light Grey
- Aqua
- Green
- Red
- Yellow

Warranty

Kraus One Year Limited Warranty
see website for details www.kraususa.com

